

## Digital Torque Multiplier



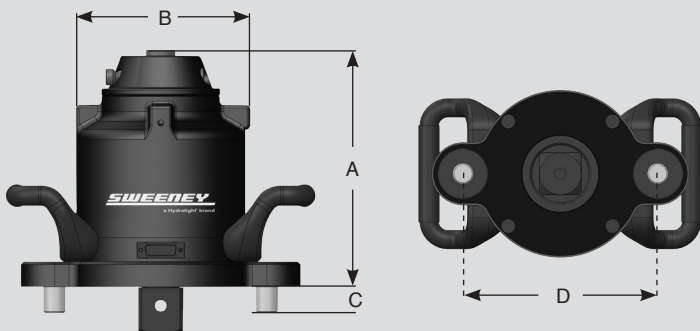
The Sweeney Digital Torque Multiplier (SWE8550D) was developed to perform high tolerance bolt up and break out operations within the Aero, Industrial and Oil and Gas industries.

For increased control and operation the SWE8550D is equipped with a high resolution 7" display. During use relevant measuring values appear on screen including torque, angle of turn as well as a graph depicting torque over time. Values appear in full color large format type enabling the operator to easily view and interpret data. The icon based menu driven system is controlled using an ultra-sensitive touch screen which responds to input even when gloves are worn.

When an operation is complete all data is stored on the device for future export using the available USB port.

### Features:

- Output accuracies of +/- 0.4% full scale
- Ergonomic handles aid in positioning
- 7" full color high resolution monitoring screen
- Battery powered monitoring screen with 8hr run time
- Accurate digital angle of turn readings
- Available measuring units include Nm, Ncm, lb ft, lb in, oz in, kNm, klb ft, kg m, kg cm



Specifications	SWE8550D	
Max Output Capacity	5000 ft-lbs	6780 Nm
Max Input Capacity	189 ft-lbs	256 Nm
Torque Ratio	26.5:1	
Input Sq Size	1/2	
Output Sq Size	1-1/2	
Overload Protection	Yes	
Anti-Backlash	Yes	

	Unit of Measure	
	Std. - in.	Metric - mm
Height (A)	7.6	192.9
Width (B)	5.6	142.3
Reaction stick out (C)	0.86	21.9
Reaction to center (D)	7.0	177.8
Weight	32 lbs	14.5 kg



Check monitoring screen with relevant torque operation values